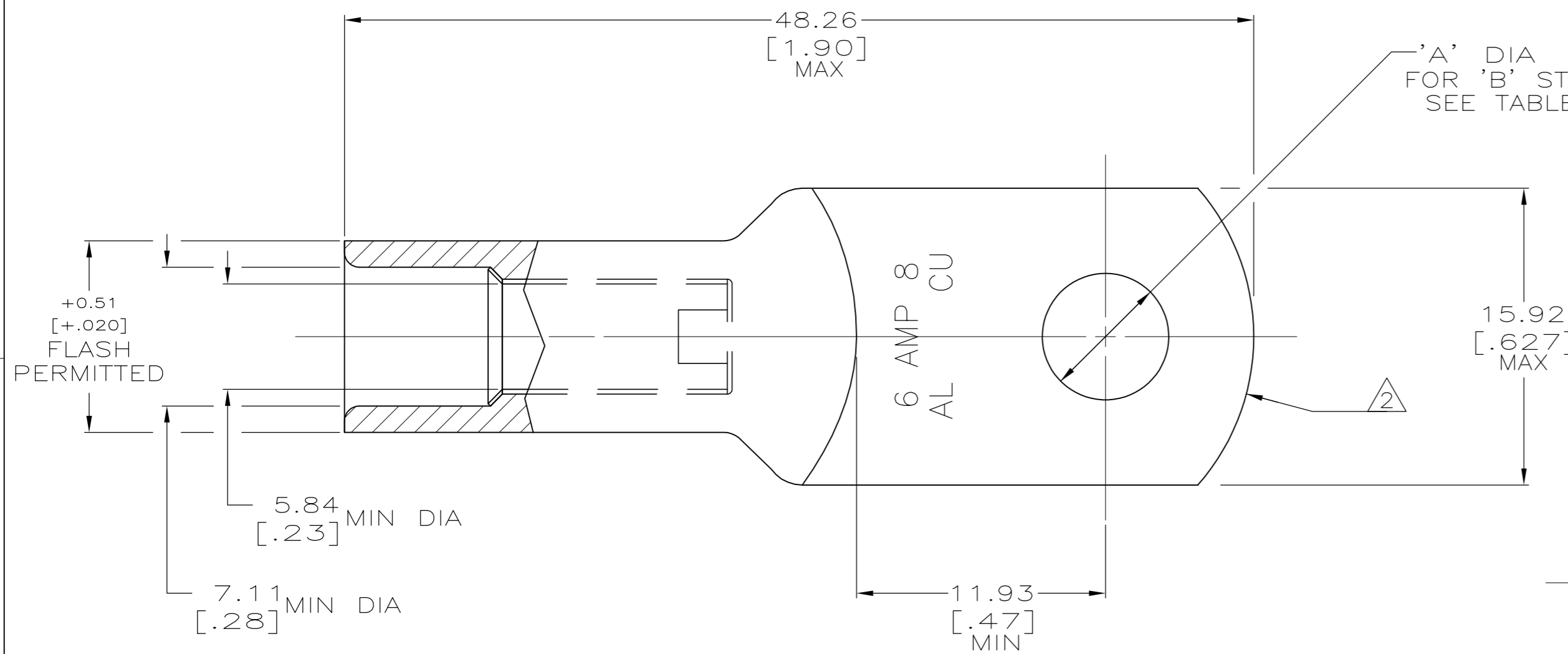
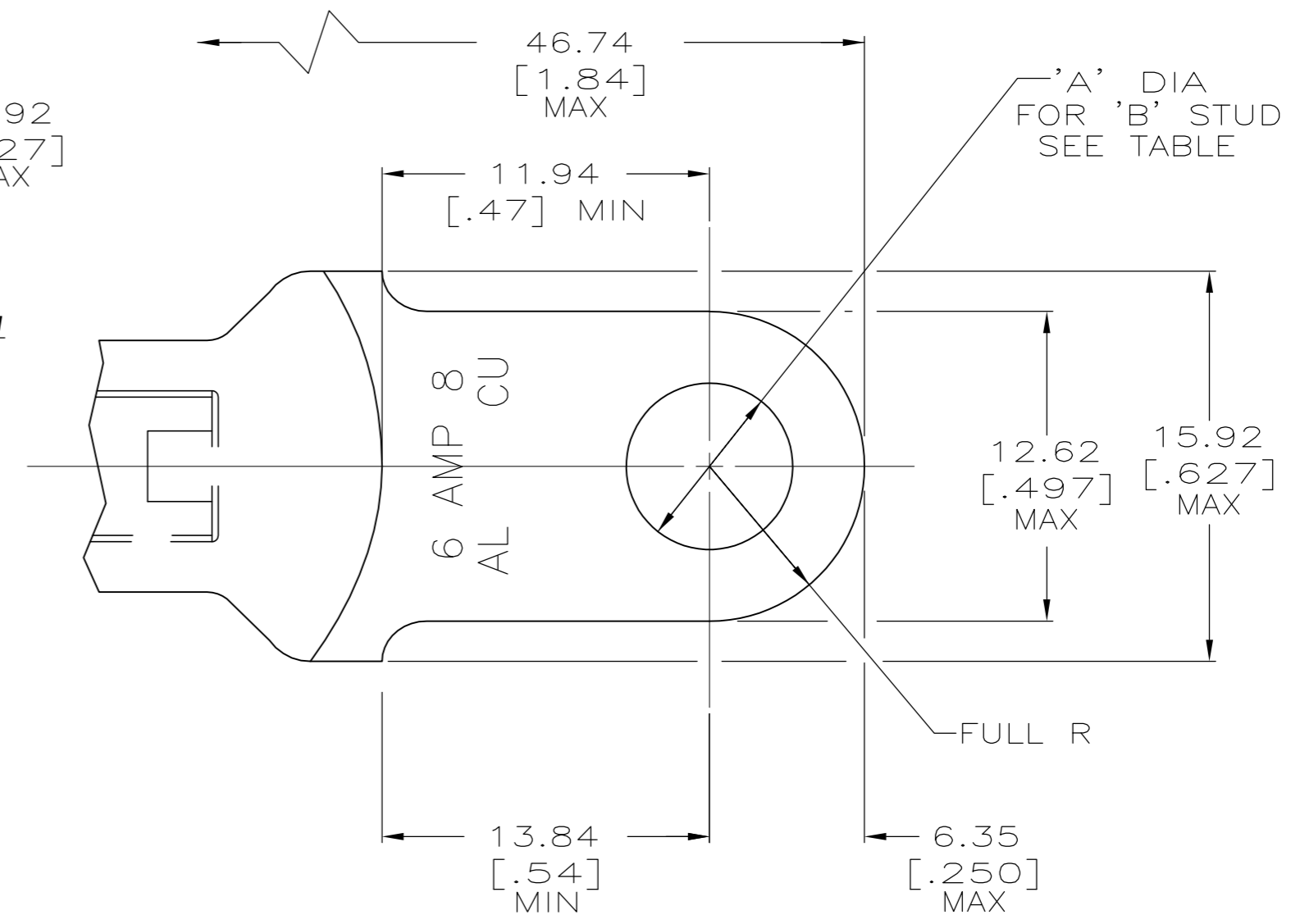


THIS DRAWING IS UNPUBLISHED. RELEASED FOR PUBLICATION  
 © COPYRIGHT BY TYCO ELECTRONICS CORPORATION. ALL RIGHTS RESERVED.

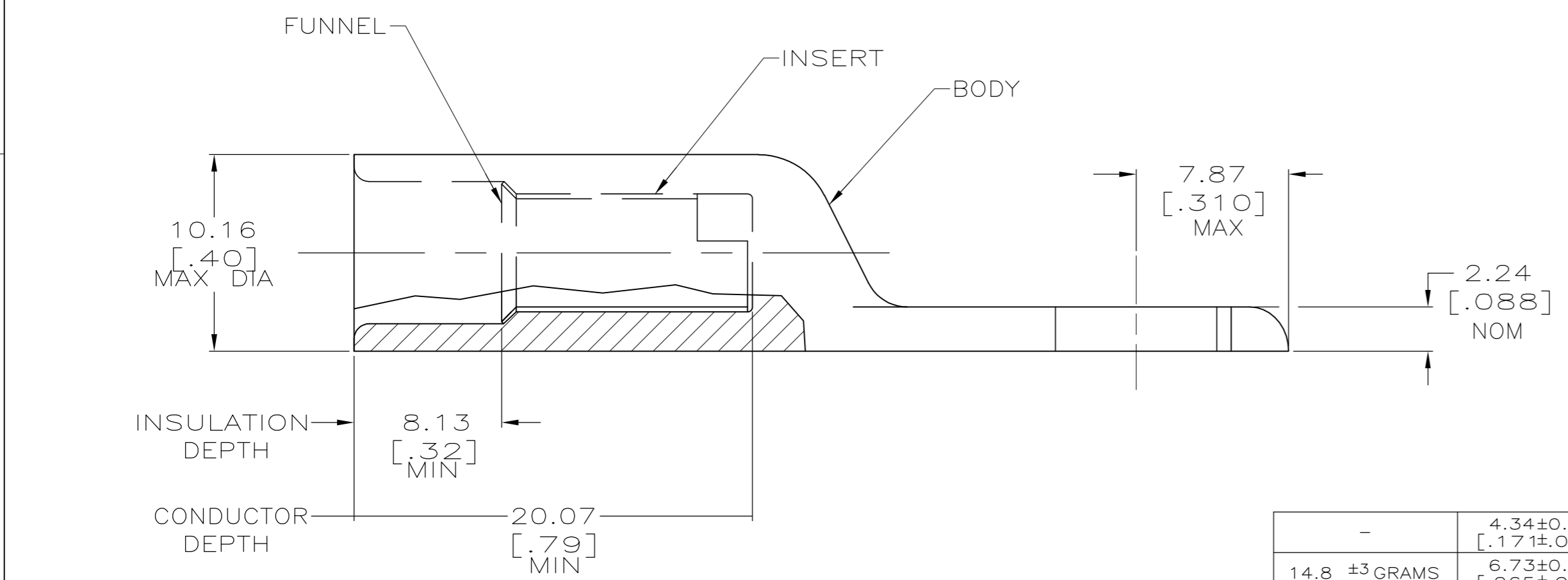
LOC		DIST		REVISIONS			
P	LTR	DESCRIPTION	DATE	DWN	APVD		
G	86	M	REV PER ECR 08-005023	27FEB08	JR	MS	



1 WIRE INSULATION: 5.72[.225] - 6.35[.250] DIA  
 2 THE TONGUE RADIUS FEATURE IS NOT A TOOLING CONTROLLED DIMENSION AND MAY NOT BE A TRUE RADIUS.



FOR 277148-6, -7, & -8 ONLY



WEIGHT	'A'	'B'	MATERIAL & FINISH	PART NO.
-	4.34±0.08 [.171±.003]	#8	BODY: COPPER ASTM-B187 ANNEALED TIN PL MIL-T-10727 0.00457[.000150] MIN THK  INSERT & FUNNEL: BRASS ASTM B36 NICKEL PL SAE AMS QQ-N-290A, DATED JULY 2000, 0.00254 [.000100] MIN THK	277148-8
14.8 ±3 GRAMS	6.73±0.13 [.265±.005]	1/4		277148-7
15.2 ±3 GRAMS	5.00±0.08 [.197±.003]	#10		277148-6
OBSOLETE 17.0 ±3 GRAMS	4.34±0.08 [.171±.003]	#8		<del>277148-5</del>
15.3 ±3 GRAMS	9.91±0.13 [.390±.005]	3/8		277148-4
16.2 ±3 GRAMS	8.33±0.13 [.328±.005]	5/16		277148-3
-	6.73±0.13 [.265±.005]	1/4		277148-2
16.8 ±3 GRAMS	5.00±0.08 [.197±.003]	#10		277148-1

THIS DRAWING IS A CONTROLLED DOCUMENT.

DWN	DK SCHRUM	6/23/89
CHK	MS FEHER	10/16/90
APVD	AJ KAUFMAN	10/23/90
PRODUCT SPEC	108-11011	
APPLICATION SPEC	114-2134	
WEIGHT	SEE TABLE	
CUSTOMER DRAWING		

Tyco Electronics Corporation  
 Harrisburg, PA 17105-3608  
 WIRE TERMINAL, RING TONGUE, SEALED COPALUM  
 14.6mm<sup>2</sup> [6] ALUMINUM  
 8.8mm<sup>2</sup> [8] COPPER

SCALE: 4:1 SHEET: 1 of 1 REV: M